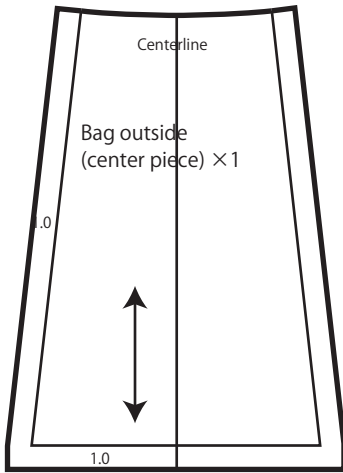
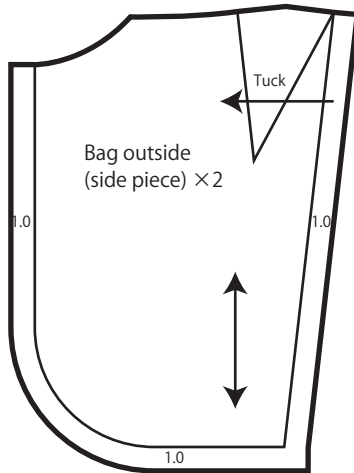


Dog-walking tote bag pattern 🎵

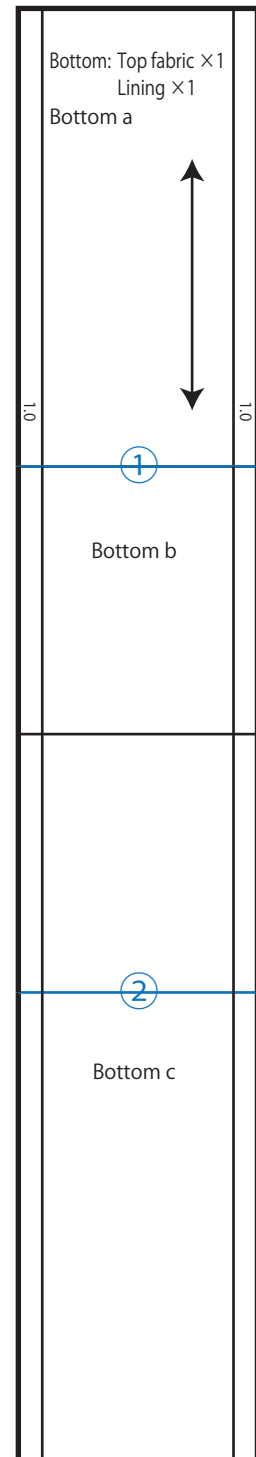
Bag outside
(center piece)



Bag outside
(center piece)

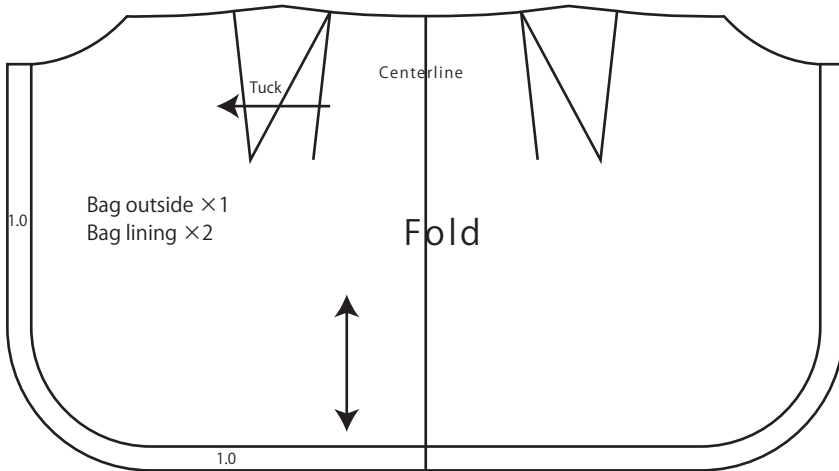


Bottom



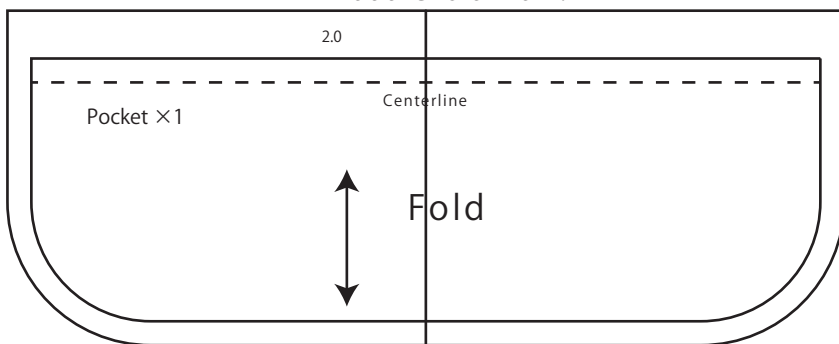
Pocket

* Cutting the fabric will be easier if you cut out the two copies of the pattern, then join them at the fold mark.



Back pocket

* Cutting the fabric will be easier if you cut out the two copies of the pattern, then join them at the fold mark.



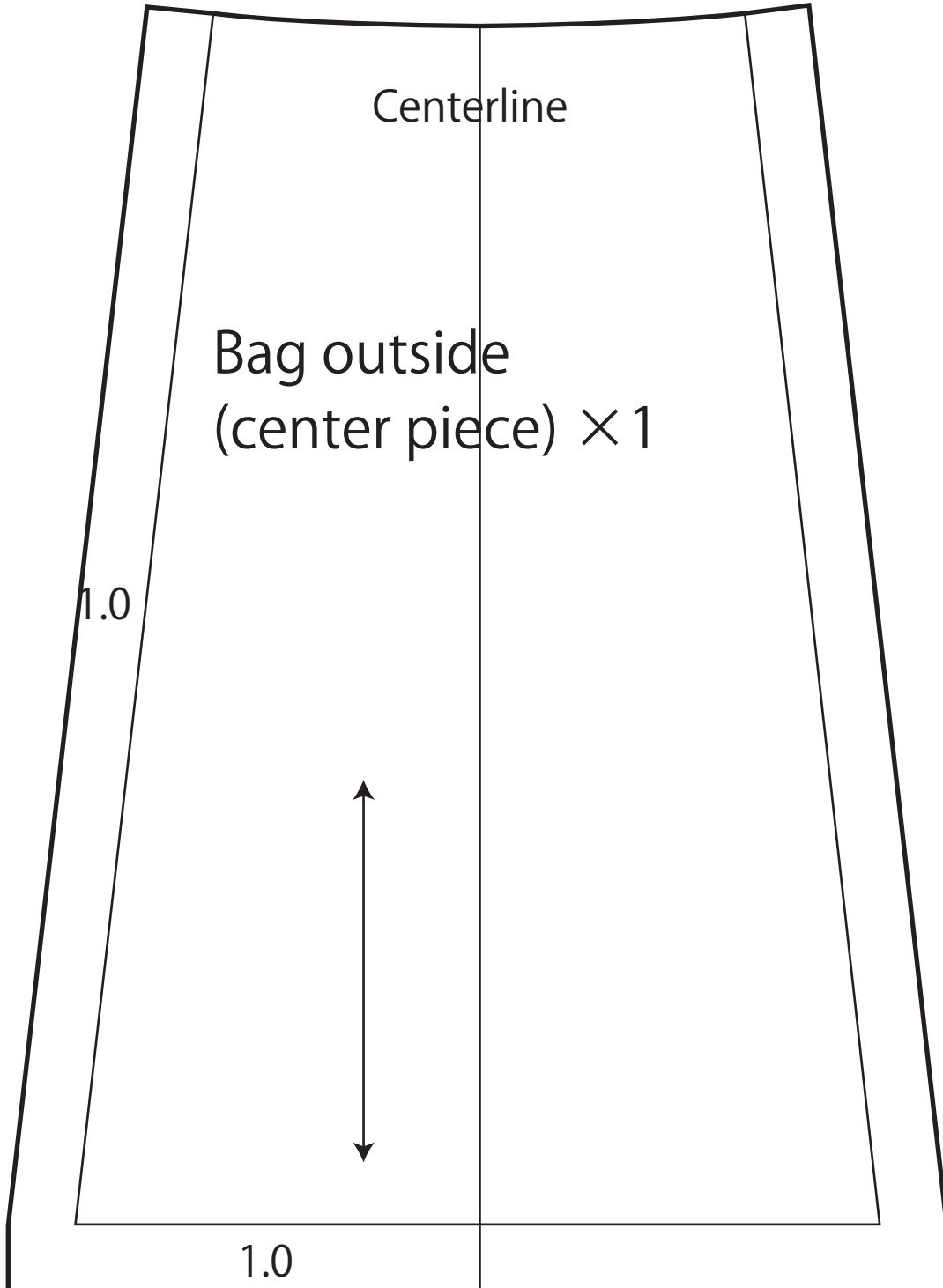
* Cutting the fabric will be easier if you cut out the two copies of the pattern, then join them at the fold mark.

* Join Bottom a, Bottom b and Bottom c at the joining lines. ① and ②

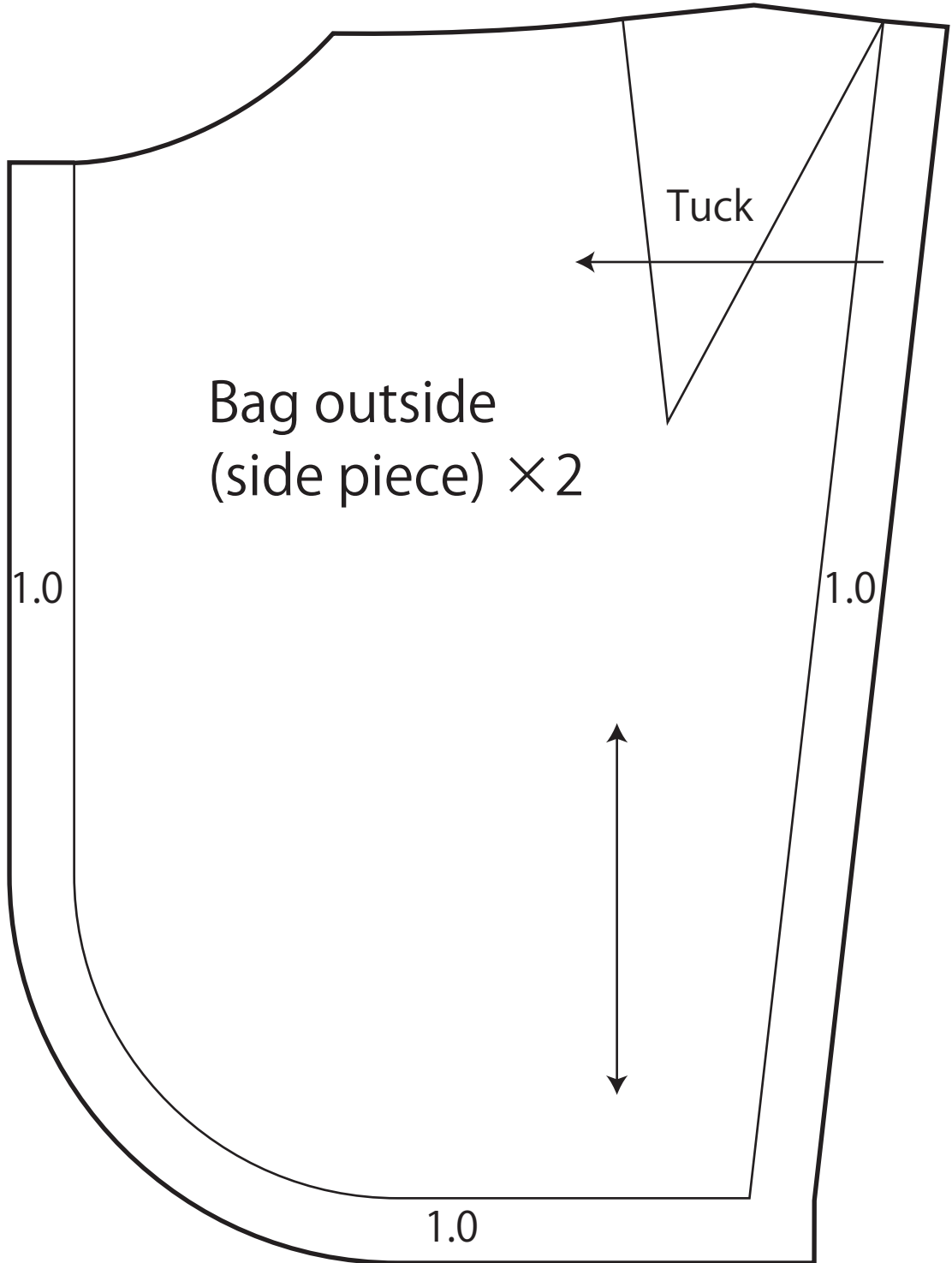
- * The basic seam allowance is 1.0 cm.
- * ——— Cutting line
- * ——— Stitching line
- * Arrows indicate the direction of the fabric grain.

★ The dog-walking tote bag requires 5 patterns.

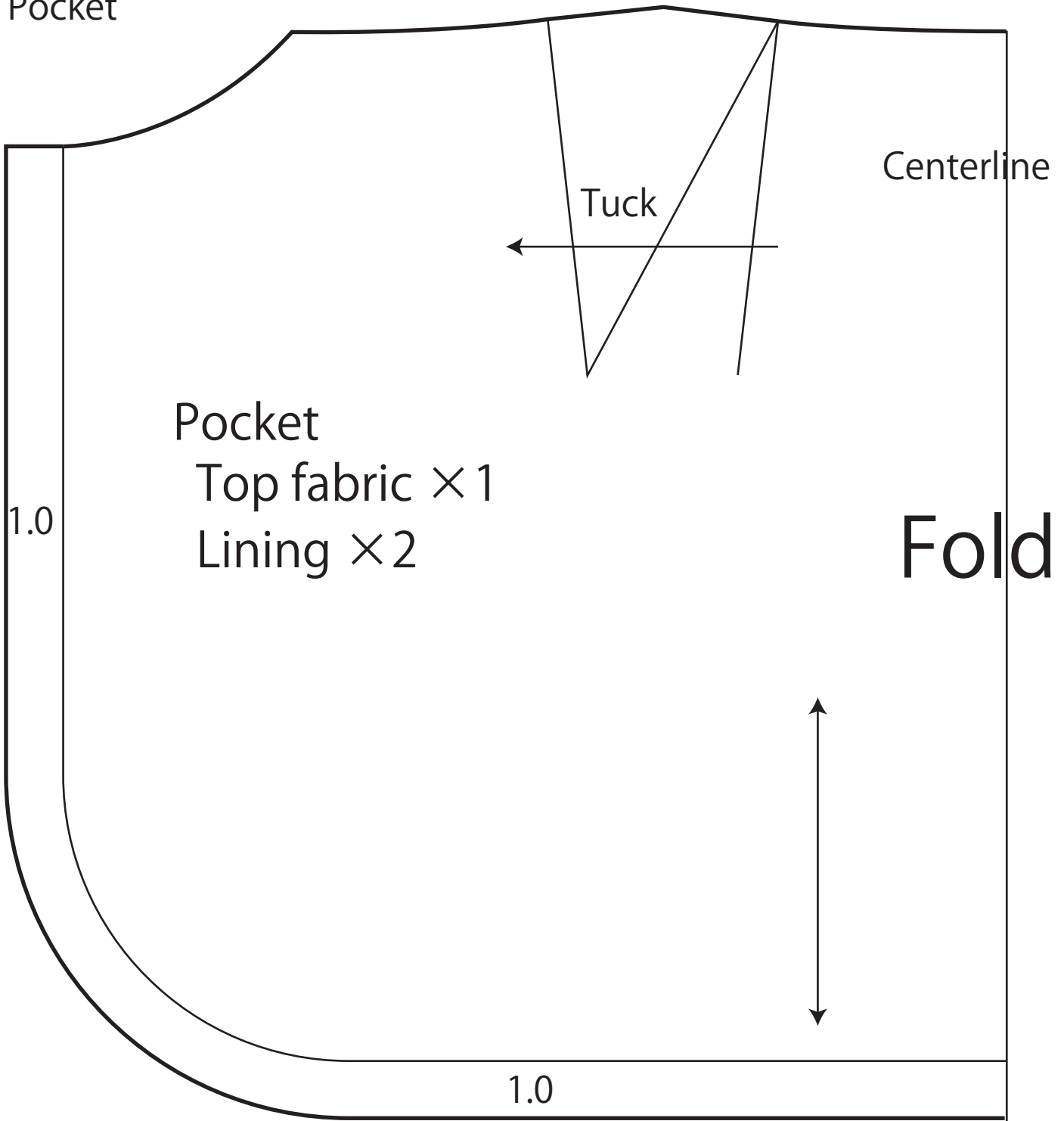
Bag outside (center piece)



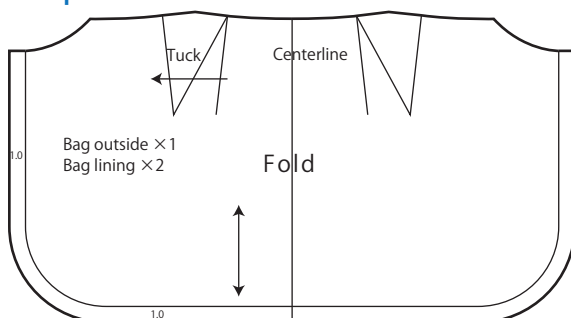
Bag outside (side piece)



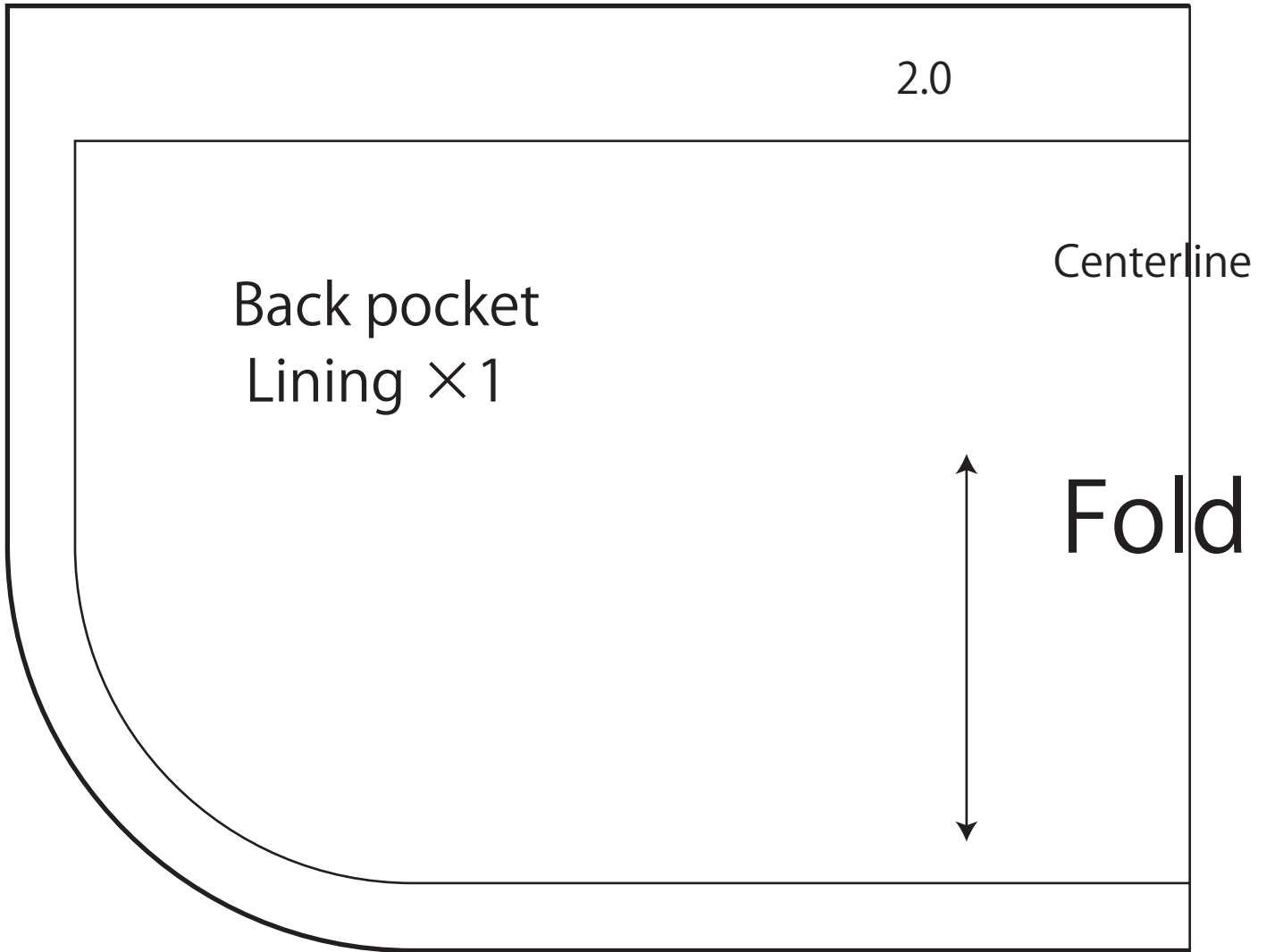
Pocket



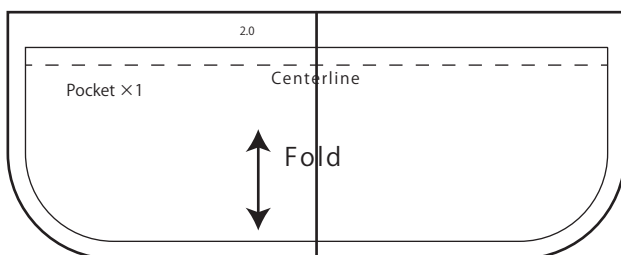
★ The bag outside pattern is only one half. Cutting the fabric will be easier if you join two copies of the pattern as shown below.



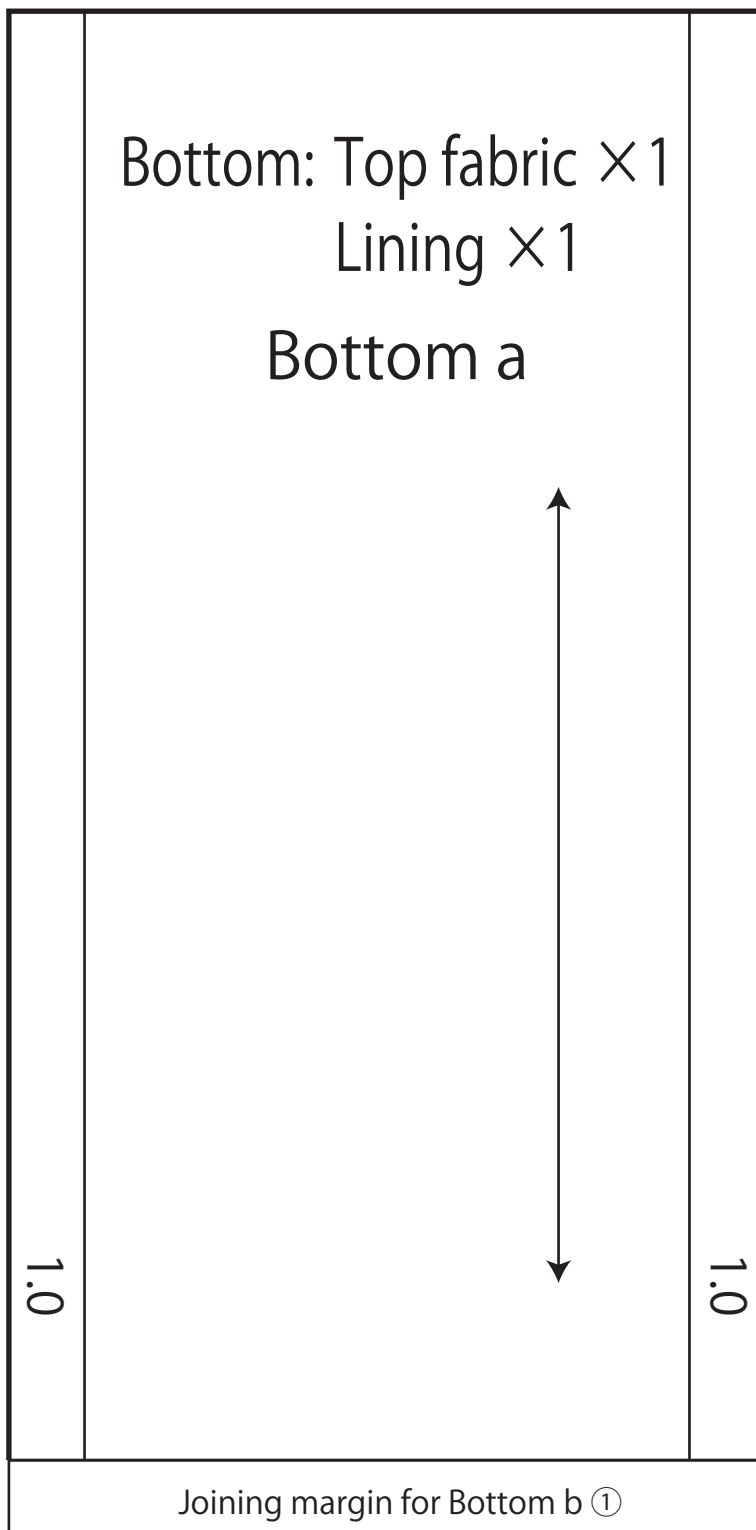
Back pocket



★ The back pocket pattern is only one half.
Cutting the fabric will be easier if you join two copies of the pattern as shown below.

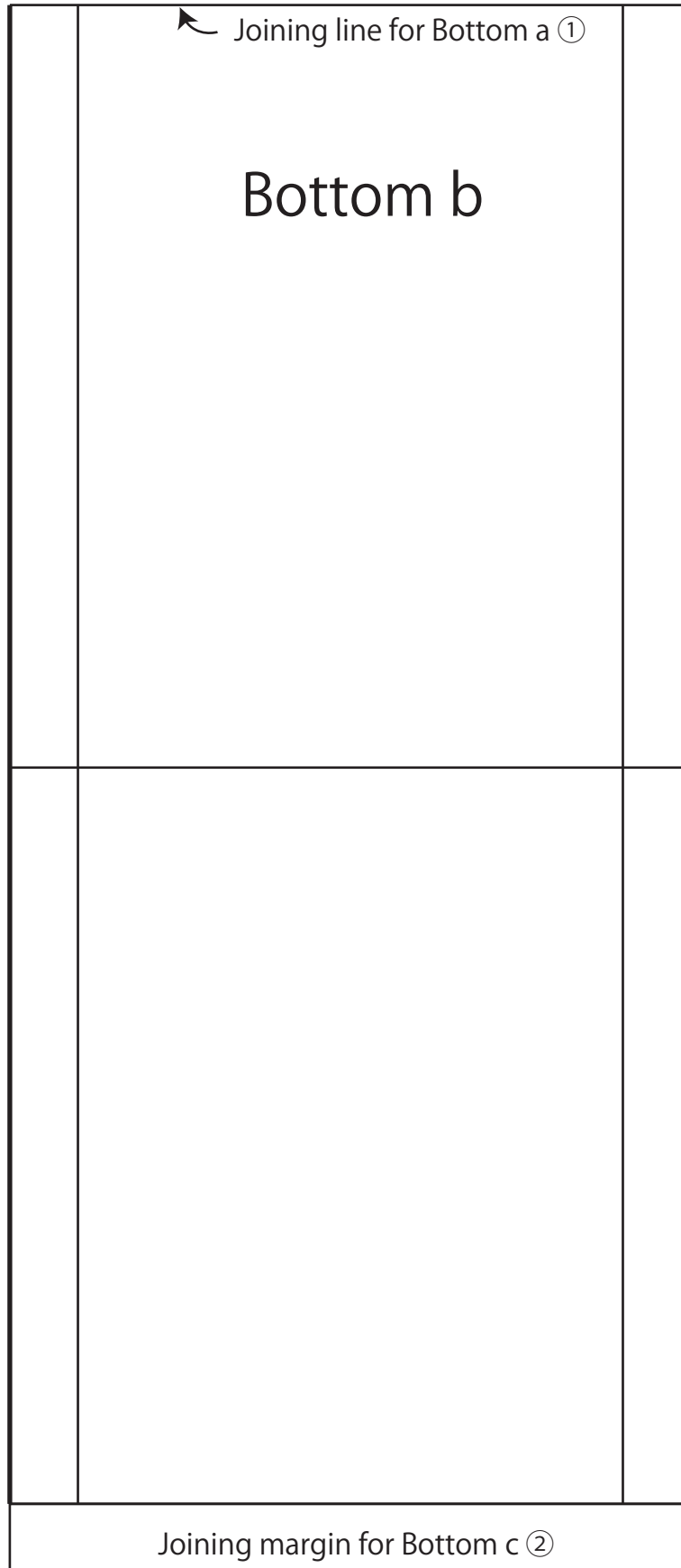


Bottom a



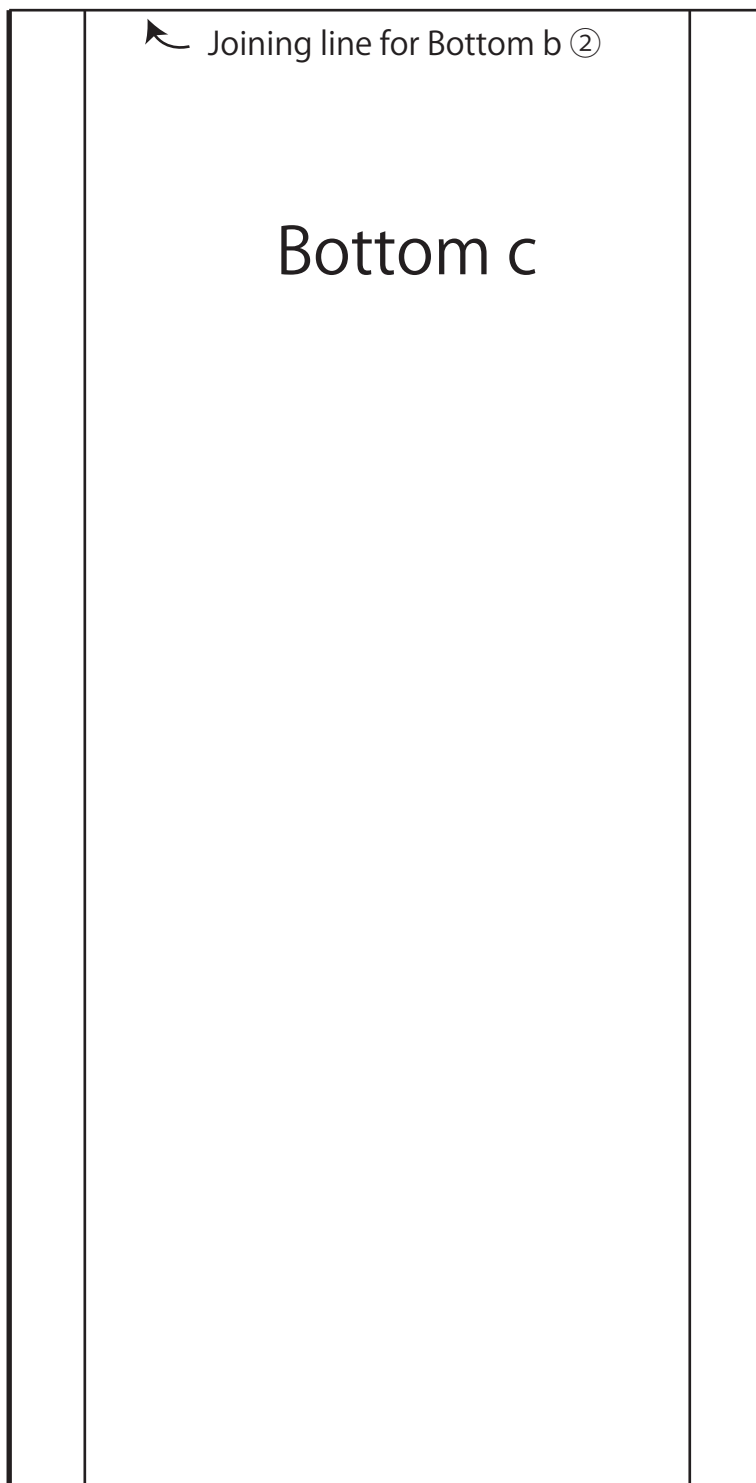
* Join Bottom a, Bottom b and Bottom c at the joining lines. ① and ②

Bottom b



* Join Bottom a, Bottom b and Bottom c at the joining lines. ① and ②

Bottom c



* Join Bottom a, Bottom b and Bottom c at the joining lines. ① and ②